



**3,000-7,000 lb Capacity Gas, LP Gas,
and Diesel Pneumatic Tire Lift Trucks**

Boost Productivity

Comfort and convenience rise to a higher level in these Cat® lift trucks. In the spacious operator's compartment, a specially contoured seat and flexible operator restraint system offer freedom of movement with security. Under the hood, big, rugged power is delivered with remarkable quiet, thanks to advanced sound-and-vibration-dampening technologies. Everywhere you look, these tough, dependable Cat lift trucks help boost productivity for sustained performance and value.

Model	Power	Capacity at 24 in Load Center
GP15K	Gas/LP Gas	3000 lb
GP18K	Gas/LP Gas	3500 lb
GP20K	Gas/LP Gas	4000 lb
GP20K-HP	Gas/LP Gas	4000 lb
DP20K	Diesel	4000 lb
GP25K	Gas/LP Gas	5000 lb
GP25K-HP	Gas/LP Gas	5000 lb
DP25K	Diesel	5000 lb
GP30K	Gas/LP Gas	6000 lb
DP30K	Diesel	6000 lb
GP35K	Gas/LP Gas	7000 lb
DP35K	Diesel	7000 lb

Contactanos (81) 8386 1100
www.losmontacargas.mx



Contactanos (81) 8386 1100
www.losmontacargas.mx

● Improved Operator Efficiency And Comfort

A clean, unobstructed work environment enables the operator to perform more efficiently. A generous floor area enhances operator mobility. The streamlined engine cover makes it easier for the operator to enter and exit.



Contactanos (81) 8386 1100
www.losmontacargas.mx



Quick-Reach Conveniences

Operators told us they wanted on-the-go conveniences, and we delivered. The clipboard can stand erect, to the operator's right, for quick, hands-on reference. Or it can be tucked in a convenient split-bar next to the seat. Two handy compartments offer storage for pens, markers, tools, and personal items. A non-tip beverage holder reduces the risk of spills, even in travel over rough surfaces.

Flex-Comfort Operator Restraint System

Cat Lift Trucks was the first in our industry to introduce a more flexible, comfortable restraint system. The resilient belt gives the operator an extra measure of freedom, without compromising security, when reverse travel requires extended turning to look back over the shoulder.



Unmatched Comfort With Low-Cost Replacement

This Cat lift truck seat offers a specially contoured fit designed for the operator who must shift and reposition the body repeatedly. A molded back lip provides comfortable arm support for added leverage to relieve back stress when traveling in reverse. The bottom cushion is sculpted with side bolsters for comforting thigh support. The back cushion provides lumbar support to help sustain operator productivity over the longest day. This practical two-piece seat design also saves money, since you can replace the bottom or back cushions separately.





● Readily Visible Monitoring

The instrument panel tilts with the steering wheel for sustained visibility and provides easy monitoring of truck functions plus early warnings of potential problems to promote preventive maintenance.



● Effortless Hydrostatic Steering

The advanced hydrostatic fluid system is designed to provide effortless steering with no jolting kickbacks. The system uses minimal components and eliminates mechanical linkages for reduced maintenance.

Infinitely Adjustable Tilt Steering Wheel

The gas-assist steering system provides smooth positioning of the wheel over a full five inches of movement to accommodate most operator preferences. Positioning the wheel full forward facilitates entry and exit.

 Lázaro Cárdenas No. 2951 Col. Álamo industrial, Tlaquepaque Jal. C.P. 45593

Good Visibility Increases Productivity

Operators who can view the forks and surroundings without contorting their bodies are more productive. The mast design features narrow flanges that contribute to improved visibility. Chain, hose routings, and primary lift cylinders are concealed behind the mast channels. Square fork bars create a large window between the upper and lower fork bars for improved visibility through the carriage. The deep web of the channels adds strength, while unique cross members provide torsional rigidity.



Contactanos (81) 8386 1100
www.losmontacargas.mx



● **Open-Step Frame And Easy-To-Reach Grab Bar**

The open-step frame and easy-to-reach grab bar facilitate operator entry and exit. Anti-slip steel plates provide a long-lasting gripping surface and can be easily removed for cleaning.

Integrated Cowl Cover

The integrated cowl cover restrains unsightly cables and hoses for unobstructed entry and exit. The thick rubber floor mat, with its textured surface, provides cushioned comfort and improved traction.



Efficient Drivetrain

The efficient drivetrain combines two oil-cooled clutch pack assemblies using four friction discs and five separator plates. This single-shaft design reduces power loss to deliver maximum working power from every drop of fuel.

Dependable Braking

A highly reliable, non-boosted brake system requires normal foot pressure and has few components to service.

Self-Aligning Tapered Roller Bearings

Self-aligning tapered roller bearings in the steering axle support the king pins and help reduce wear and component damage. Operators will appreciate the noticeably tight, non-drift steering, even after years of use. A special priority valve directs the required oil flow to the steering pump to ensure positive control under lift and tilt operations.



Easy-To-Access Engine

Release a single pin and the seat back folds forward. Pressing a latch button enables the engine hood and seat assembly to be lifted, while a gas-assist cylinder holds them open, exposing the engine compartment for quick, easy inspection and maintenance.

Contactanos (81) 8386 1100
www.losmontacargas.mx



● Low Noise Levels

These powerful, smooth-running Mitsubishi engines offer quiet performance and low vibration to reduce operator fatigue. Advanced sound-and-vibration dampening features include a sound-insulating barrier under the hood; a rubber floor mat to muffle powertrain noise; special vibration-absorbing mounts for the engine, steering pump, and steering column; a whisper-quiet, nylon cooling fan; and a double-insulated muffler.



● Powerful, Reliable, Fuel-Efficient Engines

These rugged Mitsubishi engines provide extended performance in the toughest environments for sustained productivity and maximum uptime. Gas/LP gas and High Performance (increased power output) models offer excellent fuel economy with low emissions. They feature a pusher-type, heavy-duty fan that reduces the risk of radiator clogging for sustained engine cooling. Reliable diesel models deliver exceptional power while maintaining high fuel efficiency.

Ask For A Demonstration

The advantages of the 3,000-7,000 lb capacity pneumatic tire lift truck become obvious with a demonstration. See strong proof that Cat lift trucks and your Cat lift truck dealer can offer you more productivity-driven benefits for a strong return on your equipment investment. Call for an appointment today.



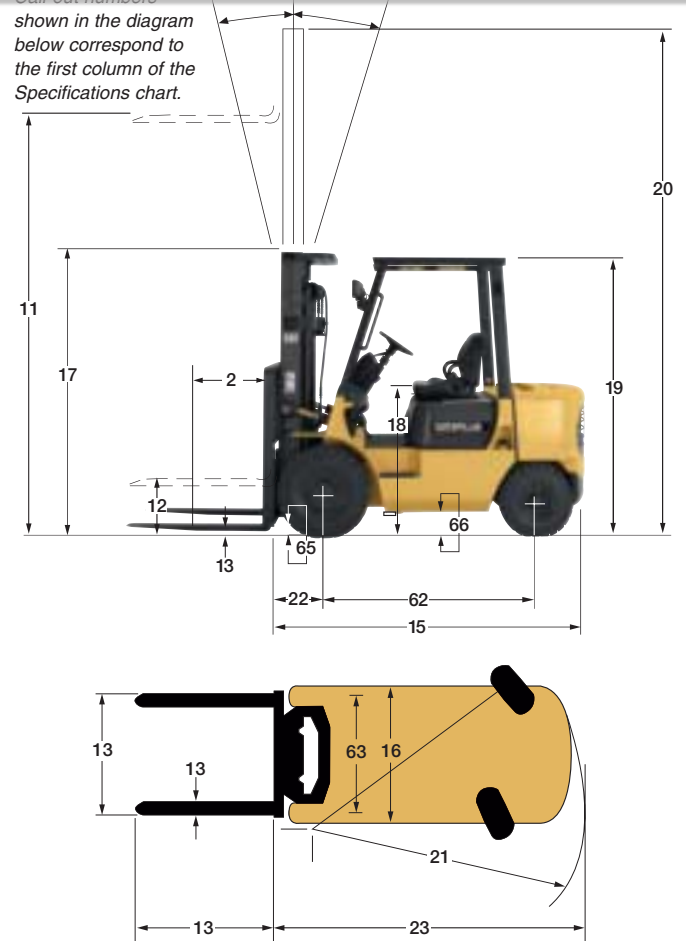
Contactanos (81) 8386 1100
www.losmontacargas.mx

CHARACTERISTICS			GP15K		GP18K		GP20K				
1	Capacity	at rated load center	lb	kg	3000	1500	3500	1750	4000	2000	
2		at load center – distance	in	mm	24	500	24	500	24	500	
3	Power	electric, diesel, gasoline, LP gas			gasoline / LP gas		gasoline / LP gas		gasoline / LP gas		
4	Tire type	cushion, pneumatic			pneumatic		pneumatic		pneumatic		
5	Wheels (x = driven)	number front / rear			2x/2		2x/2		2x/2		
DIMENSIONS											
10	Lift	maximum fork height with rated load	in	mm	157	4000	146	3700	157	4000	
11	Lift with standard two-stage mast	maximum fork height	in	mm	130	3300	130	3300	131	3325	
12		free fork height	in	mm	4.5	115	4.5	115	5.5	140	
13	Forks	thickness x width x length	in	mm	1.4 x 3.9 x 42	35 x 100 x 1070	1.4 x 3.9 x 42	35 x 100 x 1070	1.6 x 4 x 42	40 x 100 x 1070	
		Fork spacing	out-to-out minimum / maximum	in	mm	9.5/36.0	240/920	9.5/36.0	240/920	9.5/38.4	240/975
14	Tilt	forward / backward			6 / 10		6 / 10		6 / 10		
15	Overall dimensions	length to fork face	in	mm	87.6	2225	88.8	2255	97.2	2470	
16		width	with standard tires	in	mm	41.9	1065	41.9	1065	45.3	1150
			w/optional duals	in	mm	———		———		64.2	1630
17		height	with lowered mast	in	mm	84.5	2145	84.5	2145	84.5	2145
18			seat height	in	mm	40.5	1030	40.5	1030	41.3	1049
19			to top of overhead guard	in	mm	81.5	2070	81.5	2070	83.4	2093
20	with extended mast		in	mm	179.0	4550	179.0	4550	180.0	4565	
21	Minimum outside turning radius		in	mm	78.3	1990	79.5	2020	86.0	2185	
22	Load moment constant		in	mm	15.8	402	15.8	402	18.0	457	
23	Minimum aisle – 90° stack – zero clearance w/out load		in	mm	94.2	2392	95.4	2422	104.0	2642	
PERFORMANCE											
40	Speeds	travel loaded / empty	mph	km/h	11.4 / 12.4	18.5 / 20.0	11.1 / 12.1	18.0 / 19.5	10.8 / 11.8	17.5 / 19.0	
41		lift speed loaded / empty	fpm	mm/s	96 / 108	490 / 550	96 / 108	490 / 550	100 / 120	510 / 610	
42		lowering speed loaded / empty	fpm	mm/s	98 / 98	500 / 500	98 / 98	500 / 500	98 / 98	500 / 500	
43	Drawbar pull	loaded at 1 mph (1.6 km)	lb	N	2650	11,780	2650	11,780	2710	12,050	
		loaded maximum	lb	N	2675	11,900	2675	11,900	3300	14,700	
44	Gradeability	loaded at 1 mph (1.6 km)			29.5		28.0		24.0		
		maximum loaded / empty			33.0 / 21.5		29.0 / 19.0		30.5 / 23.5		
WEIGHT											
50	Empty		lb	kg	5600	2530	5900	2700	7200	3260	
51	Axle load	with rated load front / rear (est.)	lb	kg	7800 / 800	3500 / 360	8400 / 1000	3820 / 450	9920 / 1260	4500 / 570	
		without load front / rear (est.)	lb	kg	2400 / 3200	1090 / 1440	2300 / 3600	1050 / 1640	3200 / 4000	1470 / 1790	
CHASSIS											
60	Tire size	front, standard			6.50 x 10-10PR		6.50 x 10-10PR		7.00 x 12-12PR		
		front, standard wide-stance	in	mm	35.0	889	35.0	889	37.8	960	
61		rear			5.00 x 8-8PR		5.00 x 8-8PR		6.00 x 9-10PR		
62	Wheelbase		in	mm	54.7	1390	54.7	1390	63.0	1600	
63	Tread width	front, standard tires	in	mm	35.0	890	35.0	890	37.8	960	
		front, optional duals	in	mm	———		———		47.4	1200	
64		rear tires	in	mm	35.2	895	35.2	895	38.4	975	
65	Ground clearance	at lowest point @ mast	in	mm	4.3	110	4.3	110	4.7	120	
66		at center of wheelbase	in	mm	6.1	155	6.1	155	6.9	175	
67	Brakes	service			foot/hydraulic		foot/hydraulic		foot/hydraulic		
68		parking			hand/mechanical		hand/mechanical		hand/mechanical		
POWER TRAIN											
80	Engine	manufacturer and model			Mitsubishi 4G63		Mitsubishi 4G63		Mitsubishi 4G63		
81		continuous output S.A.E. gross	HP	kW	46.0	34.3	46.0	34.3	46.0	34.3	
			at r.p.m.			2400		2400		2400	
82		maximum torque S.A.E. gross	lb-ft	kg-m	103.0	14.2	103.0	14.2	103.0	14.2	
	at r.p.m.				1600		1600		1600		
83	cylinder / displacement	cu in	cm ³	122.0	1997	122.0	1997	122.0	1997		
84	Transmission	type			powershift		powershift		powershift		
85		number of speeds forward / reverse			1 / 1		1 / 1		1 / 1		
86	Relief pressure	for attachments at main	psi	bar	2630 / 185		2630 / 185		2630 / 185		
87	Noise level	mean value at operator's ear Leq			75		75		75		

NOTE: These specifications assume the use of drive axles, tires and tilt angles specified. Any modification to specifications, or any other combination of specifications made after the shipment of the truck, requires prior written approval from Mitsubishi Caterpillar Forklift America Inc. ("MCFA"). (See ANSI B56.1 Part II 4.2.) Also be advised that overall operating visibility may be affected by the mast configuration and mast options of your lift truck. Therefore, you may need to add ancillary [auxiliary] devices or modify your operating practices. Consult your dealer for further information.

GP20K-HP		DP20K		GP25K		GP25K-HP		DP25K		GP30K	
4000	2000	4000	2000	5000	2500	5000	2500	5000	2500	6000	3000
24	500	24	500	24	500	24	500	24	500	24	500
gasoline / LP gas		diesel		gasoline / LP gas		gasoline / LP gas				gasoline / LP gas	
pneumatic		pneumatic		pneumatic		pneumatic		pneumatic		pneumatic	
2x/2		2x/2		2x/2		2x/2		2x/2		2x/2	
157	4000	157	4000	157	4000	157	4000	157	4000	157	4000
131	3325	131	3325	131	3325	131	3325	131	3325	130	3300
5.5	140	5.5	140	5.5	140	5.5	140	5.5	140	5.7	145
1.6 x 4 x 42	40 x 100 x 1070	1.6 x 4 x 42	40 x 100 x 1070	1.6 x 4 x 42	40 x 100 x 1070	1.6 x 4 x 42	40 x 100 x 1070	1.6 x 4 x 42	40 x 100 x 1070	1.8 x 5 x 42	45 x 100 x 1070
9.5/38.4	240/975	9.5/38.4	240/975	9.5/38.4	240/975	9.5/38.4	240/975	9.5/38.4	240/975	11.2/39.4	285/1000
6 / 10		6 / 10		6 / 10		6 / 10		6 / 10		6 / 10	
97.2	2470	97.2	2470	99.4	2525	99.4	2525	99.4	2525	107.3	2725
45.3	1150	45.3	1150	45.3	1150	45.3	1150	45.3	1150	50.6	1285
64.2	1630	64.2	1630	64.2	1630	64.2	1630	64.2	1630	66.5	1690
84.5	2145	84.5	2145	84.5	2145	84.5	2145	84.5	2145	85.5	2170
41.3	1049	41.3	1049	41.3	1049	41.3	1049	41.3	1049	42.3	1074
83.4	2093	83.4	2093	83.4	2093	83.4	2093	83.4	2093	83.2	2113
180.0	4565	180.0	4565	180.0	4565	180.0	4565	180.0	4565	178.0	4535
86.0	2185	86.0	2185	88.4	2245	88.4	2245	88.4	2245	96.3	2445
18.0	457	18.0	457	18.0	457	18.0	457	18.0	457	19.3	490
104.0	2642	104.0	2642	106.0	2702	106.0	2702	106.0	2702	115.6	2935
10.8/11.8	17.5/19.0	10.2/11.1	16.5/18.0	9.9/11.1	16.0/18.0	9.9/11.1	16.0/18.0	10.5/11.8	16.9/19.0	10.5/11.8	16.9/19.0
111/120	565/610	126/131	640/670	100/120	510/610	111/120	565/610	126/131	640/670	92/102	470/520
98/98	500/500	98/98	500/500	98/98	500/500	98/98	500/500	98/98	500/500	98/98	500/500
3380	15,030	2820	12,540	2650	11,780	3350	14,900	2780	12,360	3060	13,610
4075	18,100	3825	17,000	3300	14,700	4075	18,200	3825	17,000	3650	16,300
30.5		30.0		19.5		25.5		24.5		19.5	
39.0/23.5		35.0/23.5		25.5/19.5		32.5/19.5		29.5/19.5		24.0/22.0	
7200	3260	7500	3380	7900	3590	7900	3590	8200	3700	9400	4270
9920/1260	4500/570	10,250/1190	4650/540	11,680/1220	5300/550	11,680/1220	5300/550	11,680/1520	5300/630	13,400/2000	6100/790
3200/4000	1470/1790	3300/4200	1510/1870	3300/4600	1510/2080	3300/4600	1510/2080	3400/4800	1550/2160	3800/5600	1740/2530
7.00 x 12-12PR		7.00 x 12-12PR		7.00 x 12-12PR		7.00 x 12-12PR		7.00 x 12-12PR		28 x 9-15-14PR	
37.8	960	37.8	960	37.8	960	37.8	960	37.8	960	41.7	1050
6.00 x 9-10PR		6.00 x 9-10PR		6.00 x 9-10PR		6.00 x 9-10PR		6.00 x 9-10PR		6.50 x 10-10PR	
63.0	1600	63.0	1600	63.0	1600	63.0	1600	63.0	1600	68.9	1750
37.8	960	37.8	960	37.8	960	37.8	960	37.8	960	41.7	1060
47.4	1200	47.4	1200	47.4	1200	47.4	1200	47.4	1200	47.2	1190
38.4	975	38.4	975	38.4	975	38.4	975	38.4	975	38.4	975
4.7	120	4.7	120	4.7	120	4.7	120	4.7	120	4.9	125
6.9	175	6.9	175	6.9	175	6.9	175	6.9	175	7.1	180
foot/hydraulic		foot/hydraulic		foot/hydraulic		foot/hydraulic		foot/hydraulic		foot/hydraulic	
hand/mechanical		hand/mechanical		hand/mechanical		hand/mechanical		hand/mechanical		hand/mechanical	
Mitsubishi 4G64		Mitsubishi S4S		Mitsubishi 4G63		Mitsubishi 4G64		Mitsubishi S4S		Mitsubishi 4G64	
57.0	42.5	62.0	46.2	46.0	34.3	57.0	42.5	62.0	46.2	57.0	42.5
2400		2200		2400		2400		2200		2400	
130.0	18.0	155.0	21.4	103.0	14.2	130.0	18.0	155.0	21.4	130.0	18.0
1600		1400		1600		1600		1400		1600	
143.4	2350	203.2	3331	122.0	1997	143.4	2350	203.2	3331	143.4	2350
powershift		powershift		powershift		powershift		powershift		powershift	
1 / 1		1 / 1		1 / 1		1 / 1		1 / 1		1 / 1	
2630 / 185		2630 / 185		2630 / 185		2630 / 185		2630 / 185		2630 / 185	
75		78		75		75		78		75	

DP30K		GP35K		DP35K	
6000	3000	7000	3500	7000	3500
24	500	24	500	24	500
diesel		gasoline / LP gas		diesel	
pneumatic		pneumatic		pneumatic	
2x/2		2x/2		2x/2	
DIMENSIONS					
157	4000	157	4000	157	4000
130	3300	131	3325	131	3325
5.7	145	5.7	145	5.7	145
1.8 x 5 x 42	45 x 100 x 1070	2 x 5 x 42	50 x 125 x 1070	2 x 5 x 42	50 x 125 x 1070
11.2/39.4	285/1000	11.2/39.4	285/1000	11.2/39.4	285/1000
6 / 10		6 / 10		6 / 10	
107.3	2725	109.1	2770	109.1	2770
50.6	1285	50.6	1285	50.6	1285
66.5	1690	66.5	1690	66.5	1690
85.5	2170	91.0	2300	91.0	2300
42.3	1074	42.3	1074	42.3	1074
83.2	2113	83.2	2113	83.2	2113
178.0	4535	180.0	4565	180.0	4565
96.3	2445	97.8	2485	97.8	2485
19.3	490	19.5	495	19.5	495
115.6	2935	117.3	2980	117.3	2980
PERFORMANCE					
10.5/11.8	16.9/19.0	10.5/11.8	16.9/19.0	10.5/11.8	16.9/19.0
100/110	510/560	78.7/84.6	400/430	84.6/92.5	430/470
98/98	500/500	98/98	500/500	98/98	500/500
3260	14,500	2820	12,540	3040	13,530
3725	16,500	3525	15,700	3575	16,000
20.5		16.0		17.0	
24.0 / 22.0		20.5 / 20.0		20.5 / 20.0	
WEIGHT					
9700	4390	10,200	4630	10,500	4750
13,700/2000	6200/870	15,200/2000	6900/860	15,200/2300	6900/930
3900/5800	1780/2610	3860/6340	1750/2880	3970/6530	1800/2950
CHASSIS					
28 x 9-15-14PR		250 x 15-16PR		250 x 15-16PR	
41.7	1050	41.7	1050	41.7	1050
6.50 x 10-10PR		6.50 x 10-12PR		6.50 x 10-12PR	
68.9	1750	68.9	1750	68.9	1750
41.7	1060	41.7	1060	41.7	1060
47.2	1190	47.2	1190	47.2	1190
38.4	975	38.4	975	38.4	975
4.9	125	5.7	145	5.7	145
7.1	180	7.9	200	7.9	200
foot/hydraulic		foot/hydraulic		foot/hydraulic	
hand/mechanical		hand/mechanical		hand/mechanical	
POWER TRAIN					
Mitsubishi S4S		Mitsubishi 4G64		Mitsubishi S4S	
62.0	46.2	57.0	42.5	62.0	46.2
2200		2400		2200	
155.0	21.4	130.0	18.0	155.0	21.4
1400		1600		1400	
203.2	3331	143.4	2350	203.2	3331
powershift		powershift		powershift	
1 / 1		1 / 1		1 / 1	
2630 / 185		2630 / 185		2630 / 185	
78		75		78	



SAFETY STANDARDS

These trucks meet American National Standards Institute ASME B56.1, part III Safety Standards for powered industrial trucks.

UL-Classified by Underwriters Laboratories, Inc., as to fire and electric shock hazard only. Availability: Types G, LP and D standard. Types GS, LPS and DS optional.

Users should be aware of, and adhere to, applicable codes and regulations regarding operator training, use, operation and maintenance of powered industrial trucks, including:

- ASME B56.1, part II.
- NFPA 505, fire safety standard for powered industrial trucks - type designations, areas of use, maintenance and operation.
- Occupational Safety and Health Administration (OSHA) regulations that may apply.

Contact your Cat lift truck dealer for further information including operator training programs and auxiliary visual and audible warning systems, fire extinguishers, etc., as available for specific user applications and requirements.

Specifications, equipment, technical data, photos and illustrations based on information at time of printing and subject to change without notice. Some products may be shown with optional equipment.



Durability And Support

Cat lift truck dealers put customer needs first, with the most comprehensive customer support programs in the industry.

Unlimited Hours Warranty covers parts and labor for one year, regardless of service hours.

Parts Fast or Parts Free Guarantee ensures next-business-day delivery of parts for all brands of lift trucks or they are free, including freight.

Free Loaner Service Guarantee provides a lift truck until the repair is done if your lift truck is not repaired right the first time and within the quoted time.

Contact your Cat lift truck dealer for complete terms and conditions of these guarantees.



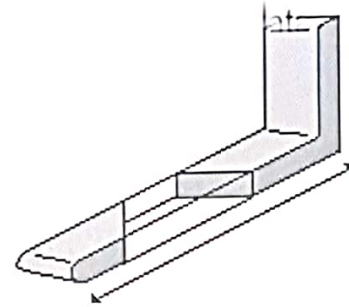
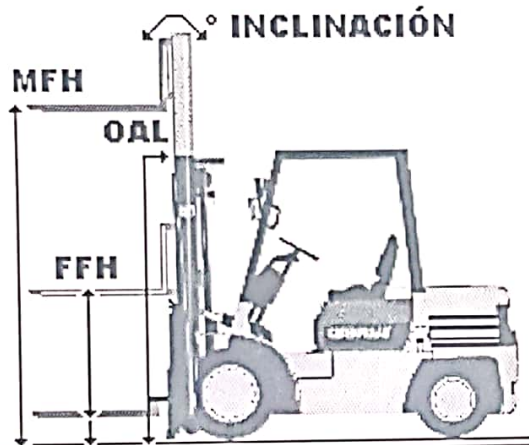
Cat Lift Trucks offers an extensive range of products and services. Your Cat lift truck dealer can provide options and additional visual and audible warning devices geared toward your specific applications and requirements. Operator training programs are also available to boost productivity and to help reduce the potential for product damage and personal injury.

Your Cat lift truck dealer can also provide a variety of financing and leasing options to suit the needs of your business.

CATERPILLAR®

MONTACARGAS CATERPILLAR

Modelo	Capacidad	Motor	Año	Llantas
GP25K-G	5,000 Lbs.		1997	4 llantas Semisolidas



MÁSTIL: Triplex

HORQUILLAS DE: 2.4" x 6" x 42"

MFH	OAL	FFH	° Inclinación
191"	84.5"	63"	6° F / 6° B

INCLUYE LO SIGUIENTE:

- Capacidad a 24" del centro de carga.
- Transmisión automática de avance y retroceso. Tipo "Power-shift" para cambios en plena marcha sin aplicar frenos.
- Frenos hidráulicos de zapata, autoajustables y freno de estacionamiento.
- Columna de volante de dirección, portaobjetos y guarda superior del operador.
- Argollas de levante, pasador de jalón, contrapeso removible, cinturón de seguridad y marcas en español.
- Tablero de instrumentos de estado sólido con medidores de temperatura del refrigerante, del aceite de la transmisión, nivel de combustible e indicadores de :

+ Carga del alternador.
+ Nivel de la batería.
+ Horómetro.

+ Presión del aceite del motor.
+ Nivel del aceite de los frenos.